

Sterling Series



KEY FEATURES

- 4 Megapixel Resolution
- 2688 x 1520:30fps
- 5x (2.7 ~ 13.5mm) Motorized Lens
- 120dB WDR
- 2D/3D DNR
- 265+ Vcom, H.265, H.264, MJPEG
- Triple Streams
- 9:16 Corridor Mode
- VIR, 40m(131 ft) IR Distance
- XLight
- Built-in Microphone
- Alarm I/O
- Audio I/O
- 256G MicroSD Card Support
- PoE
- IP67
- IK10

Model No.	NV-ZD24R4AVCT13
Sensor	1/3", 4.0 Megapixel, Progressive Scan, CMOS
Lens	2.7 ~ 13.5mm Motorized Lens
Shutter	Auto/Manual, 1 ~ 1/100000s
Minimum Illumination	Colour: 0.0001Lux (F1.2, AGC ON) 0Lux with IR
Day/Night	IR-cut Filter with Auto Switch (ICR)
Digital Noise Reduction	2D/3D DNR
S/N	≥56 dB
IR Range	Up to 40m (131ft) IR Range
Defog	Digital Defog Filter
WDR	120db
Video	
Video Compression	265+ Vcom, H.265, H.264, MJPEG
H.264 Code Profile	Baseline Profile, Main Profile, High Profile
Frame Rate	Main Stream: 4MP (2688 x 1520), Max 30fps; 4MP (2560 x 1440), Max 30fps; 3MP (2304 x 1296), Max 30fps; 1080P (1920 x 1080), Max 30fps Sub Stream: 720P (1280 x 720), Max 30fps; D1 (720 x 576), Max 30fps; 640 x 360, Max 30fps; 2CIF(704 x 288), Max 30fps; CIF(352 x 288), Max 30fps Third Stream: D1 (720 x 576), Max 30fps; 640 x 360, Max 30fps; 2CIF(704 x 288), Max 30fps; CIF(352 x 288), Max 30fps;
BLD	Supported
BLC	Supported
9:16 Corridor Mode	Supported
XLight	Supported
OSD	Up to 8 OSDs
Privacy Mask	Up to 4 areas
ROI	Up to 8 areas
Motion Detection	Up to 4 areas
Audio	
Audio Compression	G.711
Suppression	Supported
Sampling Rate	8kHz
Storage	
Edge Storage	Micro SD, up to 256GB
Network Storage	ANR
Network	
Protocols	IPv4, IGMP, ICMP, ARP, TCP, UDP, DHCP, PPPoE, RTP, RTSP, RTCP, DNS, DDNS, NTP, FTP, UPnP, HTTP, HTTPS, SMTP, 802.1x, SNMP, QoS
System Compatibility	Onvif (Profile S, G, T), API
Interface	
Audio I/O	Input: Impedance 35kΩ; Amplitude 2V [p-p] Output: Impedance 600Ω; Amplitude 2V [p-p]
Alarm I/O	1/1
Network	1 RJ45 10M/100M Base-TX Ethernet

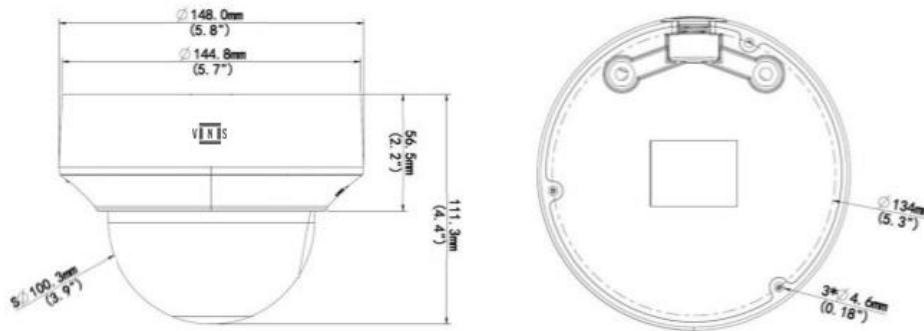


4MP MOTORIZED XLIGHT VIR DOME CAMERA

2688 X 1520:30FPS 40M VIR, 5X(2.7~13.5MM) MOTORIZED LENS, TRIPLE STREAM

Built-in Microphone	Supported	
Video Output	1 BNC, Impedance 75Ω; Amplitude 1V [p-p]	
General		
Power	DC 12V±25%, PoE (IEEE 802.3af)	Power Consumption: Max 7.0W
Dimensions (W x H)	148 x 111.3mm (5.8" x 4.4")	
Weight	0.92kg (2.0lb)	
Working Environment	-40°C ~ 60°C (-40°F ~ 140°F), Humidity: ≤95% RH (Non-condensing)	
Ingress Protection	IP67	
Vandal Resistant	IK10	
Product Details		
Part Code	NV-ZD24R4AVCT13	
Description	4MP Dome, 2688 x 1520:30, 265+ Vcom/H.264, Triple Streams, 2.7~13.5mm Motorized Lens, Alarm I/O, Audio I/O, 40m VIR, XLight, 120dB WDR, SD Card Slot, BLD, 12V & PoE, IP67, Mic	

DIMENSIONS



Video Network Security LLC

1950 W. Corporate Way PMB 95972, Anaheim, California 92801, United States of America.

Email: sales@vnsec.us Web: www.vnsec.us

©2019 Video Network Security Ltd. All rights reserved.

*Product specifications, shape and availability are subject to change without notice.