

Sterling Series



KEY FEATURES

- 8 Megapixel Resolution
- 3840 x 2160:20fps
- 265+ Vcom/H.264/MJPEG
- Triple Streams
- Fixed Lens 2.8/4mm
- 120dB WDR
- Built-in Microphone
- Alarm I/O
- Audio I/O
- XLight Technology
- IR Range: up to 30m VIR
- Micro SD Card Slot
- DC12V & PoE
- Weatherproof IP67
- Vandal Resistant IK10

Model No.	NV-FD28R3AVCT28	NV-FD28R3AVCT04
Sensor	8.0 Megapixel, Progressive Scan, CMOS	
Lens	2.8 @ F1.6 Lens	4mm @ F1.6 Lens
Shutter	Auto/Manual, 1 ~ 1/100000s	
Minimum Illumination	Colour: 0.0001Lux (F1.6, AGC ON) 0Lux with IR on	
Day/Night	IR-cut Filter with Auto Switch (ICR)	
Digital Noise Reduction	2D/3D DNR	
S/N	≥52 dB	
IR Range	Up to 30m (98ft) IR Range	
Defog	Digital Defog Filter	
WDR	120dB	
Video		
Video Compression	265+ Vcom, H.265, H.264, MJPEG	
H.264 code profile	Baseline Profile, Main Profile, High Profile	
Frame Rate	Main Stream: 8MP (3840 x 2160), Max 20fps; 5MP (3072 x 1728), Max 30fps; 4MP (2560 x 1440), Max 30fps; 1080P (1920 x 1080), Max 30fps Sub Stream: 1080P (1920 x 1080), Max 30fps; 720P (1280 x 720), Max 30fps; D1 (720 x 576), Max 30fps; 640 x 360, Max 30fps; 2CIF(704 x 288), Max 30fps; CIF(352 x 288), Max 30fps Third Stream: D1 (720 x 576), Max 30fps; 640 x 360, Max 30fps; 2CIF(704 x 288), Max 30fps; CIF(352 x 288), Max 30fps	
BLD	Supported	
BLC	Supported	
XLight	Supported	
9:16 Corridor Mode	Supported	
OSD	Up to 8 OSDs	
Privacy Mask	Up to 4 areas	
ROI	Up to 8 areas	
Motion Detection	Up to 4 areas	
Network		
Protocols	IPv4, IGMP, ICMP, ARP, TCP, UDP, DHCP, RTP, RTSP, RTCP, DNS, DDNS, NTP, FTP, UPnP, HTTP, HTTPS, SMTP, SSL, QoS	
System Compatibility	Onvif (Profile S, T), API	
Storage		
Edge Storage	Micros SD, up to 256GB	
Network Storage	ANR	
Interface		
Network	10M/100M Base-TX Ethernet	
Built-in Microphone	Supported	
Audio I/O	1/1	
Alarm I/O	1/1	

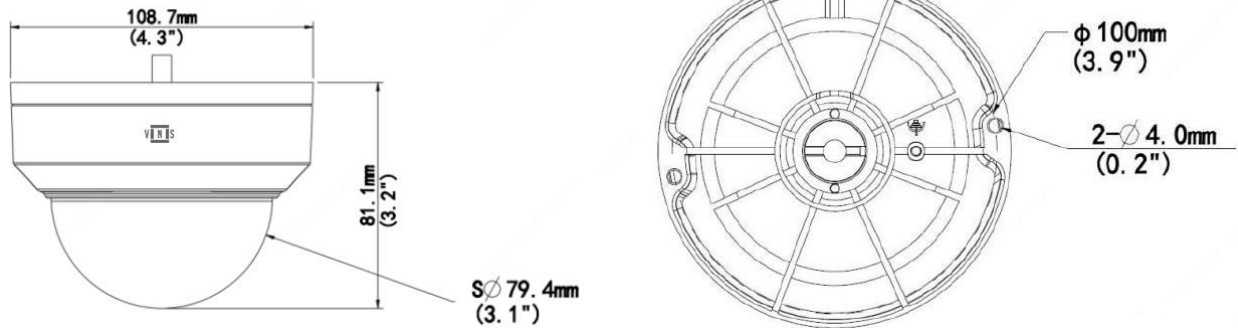


4K FIXED NETWORK EYEBALL CAMERA

8MP DOME 1/2.5" CMOS, 265+ VCOM/H.264, TRIPLE STREAM

General		
Power	DC 12V±25%, PoE (IEEE 802.3af)	Power Consumption: Max 6.0W
Dimensions (Ø x H)	Ø108.7 x 81.1mm (Ø4.3" x 3.2")	
Weight	0.43kg (0.95lb)	
Working Environment	-40°C ~ 60°C (-40°F ~ 140°F), Humidity: ≤95% RH (Non-condensing)	
Ingress Protection	IP67	
Product Details		
Part Code	NV-FD28R3AVCT28	
Description	8MP Dome, 4K 3840 x 2160:20fps, 265+ Vcom/H.264/MJPEG, Triple Stream, Fixed Lens 2.8mm, Alarm I/O, Audio I/O, 30m VIR, XLight, 120dB WDR, SD Card Slot, 3-Axis, BLD, 12V & PoE, IP67 & IK10, Mic	
Part Code	NV-FD28R3AVCT04	
Description	8MP Dome, 4K 3840 x 2160:20fps, 265+ Vcom/H.264/MJPEG, Triple Stream, Fixed Lens 4.0mm, Alarm I/O, Audio I/O, 30m VIR, XLight, 120dB WDR, SD Card Slot, 3-Axis, BLD, 12V & PoE, IP67 & IK10, Mic	

DIMENSIONS



Video Network Security LLC

1950 W. Corporate Way PMB 95972, Anaheim, California 92801, United States of America.

Email: sales@vnsec.us Web: www.vnsec.us

©2019 Video Network Security Ltd. All rights reserved.

*Product specifications, shape and availability are subject to change without notice.