

Stellar Series



## KEY FEATURES

- 4K, 8 Megapixel Resolution
- 3840 x 2160:30fps
- 4x (2.8~12mm) Motorized Lens
- 120dB WDR
- 2D/3D DNR
- 265+ Vcom, H.265, H.264, MJPEG
- Penta Streams
- VIR, 100m(328 ft) IR Distance
- XLight
- Alarm I/O
- Audio I/O
- MicroSD Card Support
- PoE
- IP67

Model No.	NV-ZB38RXVCT12
Sensor	8.0 Megapixel, Progressive Scan, CMOS
Lens	2.8~12mm@F1.2, AF Automatic Focusing and Motorized Zoom Lens
Shutter	Auto/Manual, 1 ~ 1/100000s
Minimum Illumination	Colour: 0.0001 Lux (F1.2, AGC ON) 0 lux with IR
Day/Night	IR-cut Filter with Auto Switch (ICR)
S/N	≥56 dB
IR Range	Up to 100m (328ft) IR Range
Defog	Digital Defog Filter
WDR	120db
<b>Video</b>	
Video Compression	265+ Vcom, H.265, H.264, MJPEG
H.264 Code Profile	Baseline Profile, Main Profile, High Profile
Frame Rate	Main Stream: 8MP (3840 x 2160), Max 30fps; 4MP (2560 x 1440), Max 30fps; 2MP (1920 x 1080), Max 30fps Sub Stream: 2MP (1920 x 1080), Max 30fps Third Stream: D1 (720 x 576), Max 30fps Fourth Stream: D1 (720 x 576), Max 30fps Fifth Stream: D1 (720 x 576), Max 30fps
BLD	Supported
BLC	Supported
9:16 Corridor Mode	Supported
OSD	Up to 8 OSDs
Privacy Mask	Up to 8 areas(8 Blacks/8 Mosaics)
ROI	Up to 8 areas
Motion Detection	Up to 4 areas
<b>Audio</b>	
Audio Compression	G.711
Two-way audio	Supported
Suppression	Supported
Sampling Rate	8kHz
<b>Storage</b>	
Edge Storage	Micro SD, up to 256GB
Network Storage	ANR, NAS (NFS)
<b>Interface</b>	
Audio I/O	Input: Impedance 35kΩ; Amplitude 2V [p-p] Output: Impedance 600Ω; Amplitude 2V [p-p]
Alarm I/O	2/1
Serial Port	1 RS485
Network	1 x RJ45 10M/100M/1000M Base-TX Ethernet
Video Output	1 BNC, Impedance 75Ω; Amplitude 1V [p-p]

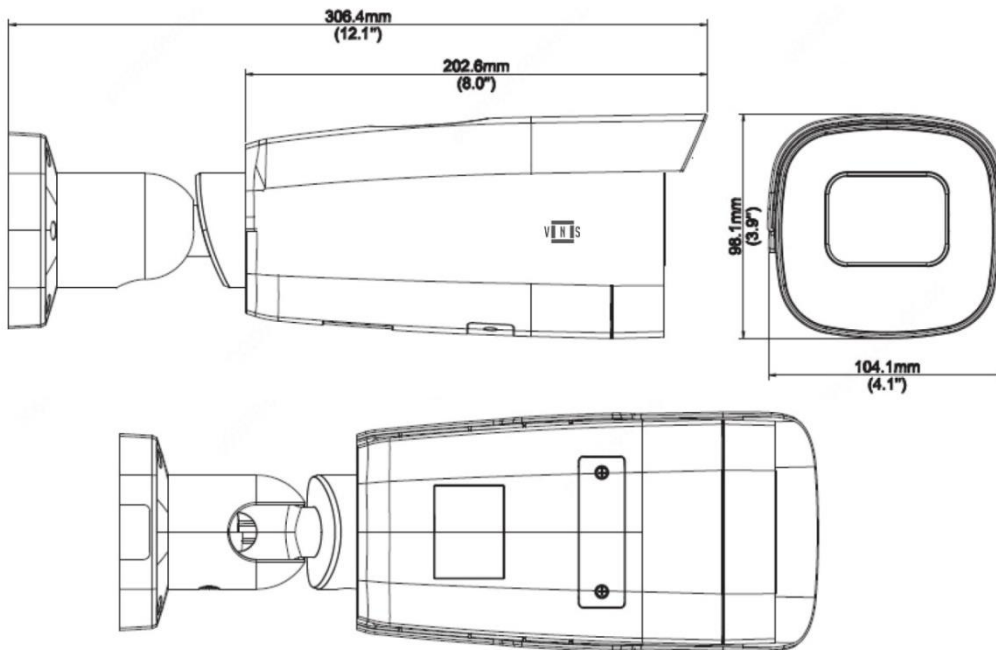


# 8MP MOTORIZED XLIGHT VIR BULLET CAMERA

3840 X 2160:30FPS, 2.8-12MM LENS, 265+ VCOM/H.264, TRUE WDR, PENTA STREAM

General		
Power	AC24V±25%, DC12V (-10%~+25%), PoE (IEEE802.3at)	Power Consumption: Max 14W
Dimensions (L x W x H)	306.4 x 104.1 x 98.1mm (12.1" x 4.1" x 3.9")	
Weight	1.60kg (3.52lb)	
Working Environment	-40°C ~60°C (-40°F ~ 140°F), Humidity: ≤95% RH (Non-condensing)	
Ingress Protection	IP67	
Vandal Resistant	IK10	
Product Details		
Part Code	NV-ZB38RXVCT12	
Description	8MP Bullet, 3840 x 2160 30fps, 265+ Vcom/H.264, 5 Streams, 120dB WDR, SD Card Slot, Alarm I/O, Audio I/O, BNC Output, 2.8~12mm Motorized Lens, 100m VIR, XLight, AC 24V/DC12V & PoE, BLD, IP67	

## DIMENSIONS



Video Network Security LLC

1950 W. Corporate Way PMB 95972, Anaheim, California 92801, United States of America.

Email: [sales@vnsec.us](mailto:sales@vnsec.us) Web: [www.vnsec.us](http://www.vnsec.us)

©2020 Video Network Security Ltd. All rights reserved.

\*Product specifications, shape and availability are subject to change without notice.