



NETWORK VIDEO RECORDER

9 16 & 32 CHANNEL 2 SATA INTERFACE NVR

Basic Series

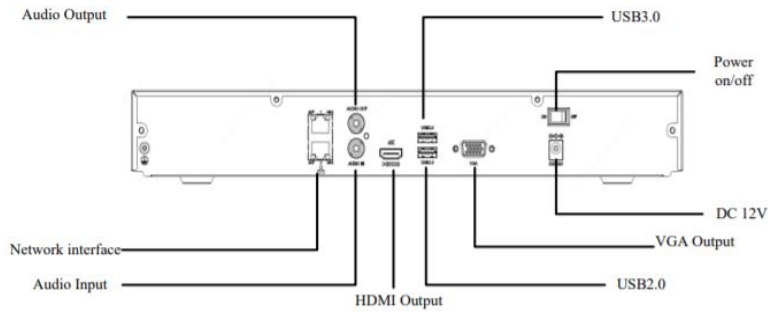


KEY FEATURES

- 9, 16 & 32 Channel Input
- Support 265+ Vcom/H.265/H.264 Video Formats
- Third-party IP Cameras Supported with Onvif Conformance: Profile S, G & T
- HDMI and VGA Simultaneous Output
- Up to 8 Megapixels Resolution Recording
- Dual Network Interface
- 2 SATA HDDs, Up to 10TB for each HDD
- ANR Technology to enhance the Storage Reliability when the Network is disconnected

| Model No. | NV-NR209KE02 | NV-NR216KE02 | NV-NR232KE02 |
|---------------------------|--|--------------------|-----------------------|
| Video/Audio Input | | | |
| IP Video Input | 9 Channel | 16 Channel | 32 Channel |
| Two-way Audio Input | 1 Channel, RCA | | |
| Network | | | |
| Incoming Bandwidth | 160Mbps (9 Channel) | | |
| Outgoing Bandwidth | 64Mbps | | |
| Remote Users | 128 | | |
| Protocols | P2P, UPnP, NTP, DHCP, PPPoE, SSL, TLS, SNMP, HTTPS | | |
| Video/Audio Output | | | |
| HDMI/VGA Output | 4K (3840 x 2160)@30, 1920 x 1080p@60, 1920 x 1080p@50, 1600 x 1200@60, 1280 x 1024@60, 1280 x 720@60, 1024 x 768@60 VGA: 1920x1080p@60, 1920x1080p@50, 1280x1024@60, 1280x720@60, 1024x768@60 | | |
| Recording Resolution | 8MP/6MP/5MP/4MP/3MP/1080p/960p/720p/D1/2CIF/CIF | | |
| Audio Output | 1 Channel, RCA | | |
| Synchronous Playback | 9 Channel | 16 Channel | 32 Channel |
| Corridor Mode Screen | 3/4/5/7/9 (9 Channel) | 3/4/5/7/9/10/12/16 | 3/4/5/7/9/10/12/16/32 |
| Decoding | | | |
| Decoding Format | 265+ Vcom, H.265, H.264 | | |
| Live View/Playback | 8MP/6MP/5MP/4MP/3MP/1080p/960p/720p/D1/2CIF/CIF | | |
| Capability | 2 x 4K@30, 3 x 5MP@30, 4 x 4MP@30, 5 x 3MP@30, 8 x 1080p@30, 16 x 720p@30,32 x D1 | | |
| Hard Disk | | | |
| SATA | 2 SATA Interfaces | | |
| Capacity | Up to 10TB for each HDD | | |
| External Interface | | | |
| Network Interface | 2 RJ-45 10M/100M/1000M Self-adaptive Ethernet Interface | | |
| USB Interface | Rear Panel: 1 x USB2.0, 1 x USB3.0 Front Panel: 1 x USB2.0 | | |
| General | | | |
| Power Supply | 12V DC, Power Consumption: ≤ 15 W(without HDD) | | |
| Working Environment | -10°C ~ + 55°C (+14°F ~ +131°F), Humidity ≤ 90% RH(Non-condensing) | | |
| Dimensions (W x D x H) | 380mm x 315mm x 53mm (15.0" x 12.4" x1.9") | | |
| Weight (without HDD) | ≤ 2.48 Kg (5.47lb) | | |
| Product Details | | | |
| Part Code | NV-NR209KE02 | | |
| Description | 9 Channel, 2 SATA Interface, 1U, 265+ Vcom & 4K | | |
| Part Code | NV-NR216KE02 | | |
| Description | 16 Channel, 2 SATA Interface, 1U, 265+ Vcom & 4K | | |
| Part Code | NV-NR232KE02 | | |
| Description | 32 Channel, 2 SATA Interface, 1U, 265+ Vcom & 4K | | |

REAR PANEL



DIMENSIONS

