

Sterling Series



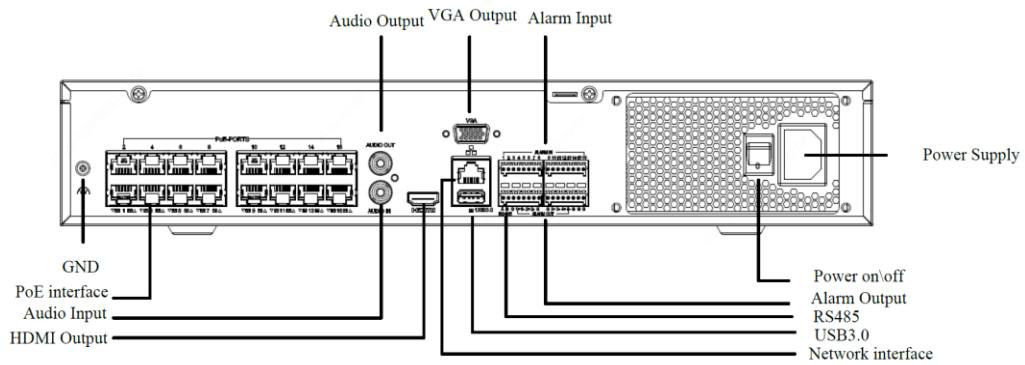
## KEY FEATURES

- 16/32 Channel Input
- Plug & play with 16 Independent PoE Network Interfaces
- Support 265+ Vcom, H.265, H.264 Video Formats
- Up to 12 Megapixels Resolution Recording
- 4 SATA HDD up to 14TB.
- Support 1 Channel HDMI, 1 Channel VGA, up to 4K(3840 x 2160) Resolution
- HDMI1/VGA Simultaneous Output.
- Various Fisheye dewarping modes for Live View and Playback for both Web Interface and GUI.
- ANR Technology to enhance the storage reliability when the network is disconnected.
- Support for P2P, UPnP, NTP, DHCP, PPPoE.

Model No.	NV-NR216KE04P16	NV-NR232KE04P16
<b>Video/Audio Input</b>		
IP Video Input	16-Channel	32-Channel
Two-way Audio Input	1-Channel, RCA	
<b>Network</b>		
Incoming Bandwidth	160Mbps	
Outgoing Bandwidth	64Mbps	
Remote Users	128	
Protocols	P2P, UPnP, NTP, DHCP, PPPoE, SSL, TLS, SNMP, HTTPS	
<b>Video/Audio Output</b>		
HDMI/VGA Output	HDMI: 4K (3840 x 2160@30), 1920 x 1080@60, 1920 X 1080@50, 1600 x 1200@60, 1280 x 1024@60, 1280 x 720@60, 1024 X 768@60 VGA: 1920 x 1080@60, 1920 x 1080@50, 1280 x 1024@60, 1280 x 720@60, 1024 x 768@60	
Recording Resolution	12MP/8MP/6MP/5MP/4MP/3MP/1080p/960p/720p/D1/2CIF/CIF	
Audio Output	1-Channel, RCA	
Synchronous Playback	16-Channel	32-Channel
Corridor Mode Screen	3/4/5/7/9/10/12/16 (16 Channel)	3/4/5/7/9/10/12/16/32 (32 Channel)
<b>Decoding</b>		
Decoding Format	265+ Vcom, H.265, H.264	
Live View/Playback	12MP/8MP/6MP/5MP/4MP/3MP/1080p/960p/720p/D1/2CIF/CIF	
Capability	3 x 12MP@25, 4 x 4K@30, 8 x 4MP@30, 16 x 1080P@30, 32 x 960P@25, 36 x 720P@30, 64 x D1	
<b>Hard Disk</b>		
SATA	4 SATA Interfaces	
Capacity	Up to 14TB for each HDD	
<b>External Interface</b>		
Network Interface	1 RJ45 10M/100M/1000M Self-adaptive Ethernet Interface	
Serial Interface	1 x RS485	
USB Interface	Front Panel: 1 x USB2.0, Rear Panel: 1 x USB3.0	
Alarm In	16-Channel	
Alarm Out	4-Channel	
<b>PoE</b>		
Interface	16 Independent 100 Mbps PoE Network Interfaces	
Max Power	Max 30W for Single Port Max 200W in total (12.5W for each)	
Supported Standard	IEEE 802.3at	
<b>General</b>		
Power Supply	100 ~ 240 VAC, Power Consumption: ≤ 20 W (without HDD)	
Working Environment	-10°C ~ +55°C (+14°F ~ +131°F), Humidity ≤ 90% RH (Non-condensing)	
Dimensions(W x D x H)	400mm x 362mm x 74mm (15.7" x 14.2" x 2.9")	
Weight (without HDD)	≤ 5.24 Kg (11.55 lb)	

Product Details	
Part Code	NV-NR216KE04P16
Description	16-Channel, 4 SATA Interface, 2U, 265+ Vcom & 4K, 16 PoE, Alarm I/O
Part Code	NV-NR232KE04P16
Description	32-Channel, 4 SATA Interface, 2U, 265+ Vcom & 4K, 16 PoE, Alarm I/O

## REAR PANEL



## DIMENSIONS

