



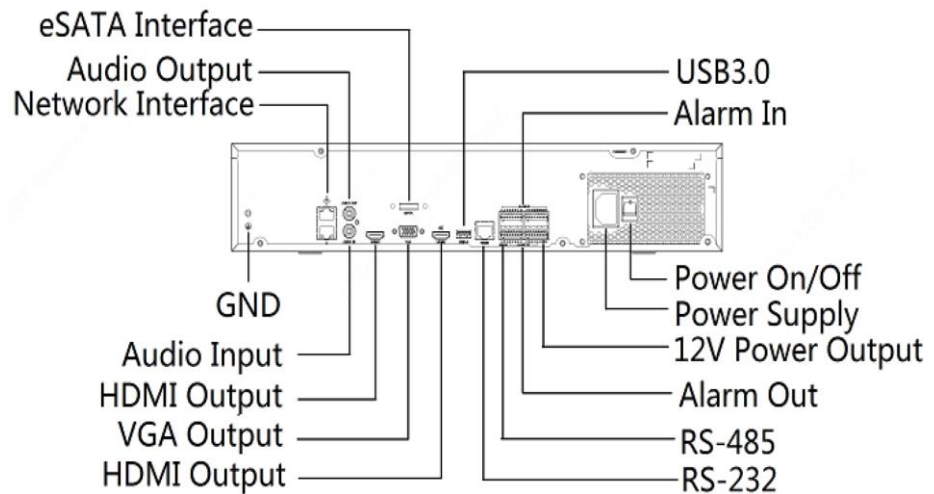
KEY FEATURES

- 16/32/64-Channel Input
- Support 265+ Vcom/H.265/H.264 Video Formats
- Third-party IP Cameras Supported with Onvif Conformance: Profile S, Profile G, Profile T
- Support 2-Channel HDMI, 1-Channel VGA, 1-Channel HDMI2 at up to 4K (3840 x 2160) Resolution
- Up to 12 Megapixels Resolution Recording
- 8 SATA HDDs, up to 10TB for each HDD
- ANR Technology to enhance the storage reliability when the network is disconnected
- Support N+1 Hot Spare
- Support for 12V Power Output
- Support OSD Function
- Support PTZ Control Function
- Support Export System Log

Model No.	NV-NR216KRD08	NV-NR232KRD08	NV-NR264KRD08
IP Video Input	16-Channel	32-Channel	64-Channel
Two-Way Audio Input	1-Channel, RCA		
Video			
Incoming Bandwidth	384Mbps		
Outgoing Bandwidth	384Mbps		
Remote Users	128		
Protocols	IPV4, IPV6, SNMP, P2P, UPnP, NTP, DHCP, PPPoE, HTTP, SMTP, TCP/IP, RTSP		
Video/Audio Output			
HDMI/VGA Output	VGA: 1920 x 1080p/60Hz, 1920 x 1080p/50Hz, 1600 x 1200/60Hz, 1280 x 1024/60Hz, 1280 x 720/60Hz, 1024 x 768/60Hz HDMI1/HDMI2(HDMI audio output is not supported): 4K (3840 x 2160)/30Hz, 1920 x 1080p/60Hz, 1920 x 1080p/50Hz, 1600 x 1200/60Hz, 1280 x 1024/60Hz, 1280 x 720/60Hz, 1024 x 768/60Hz		
Recording Resolution	12MP/ 8MP/ 6MP/ 5MP/ 4MP/ 3MP/ 1080p/ 960p/ 720p/D1/ 2CIF/ CIF		
Audio Output	1-Channel, RCA		
Audio Input	1-Channel, RCA		
Synchronous Playback	16-Channel		
Corridor Mode Screen	3/4/5/7/9/10/12/16 (16Channel)	3/4/5/7/9/10/12/16/32 (32Channel)	3/4/5/7/9/10/12/16/32 (64Channel)
Decoding			
Decoding Format	265+ Vcom, H.265, H.264		
Live view/ Playback	12MP/ 8MP/ 6MP/ 5MP/ 4MP/ 3MP/ 1080p/ 960p/ 720p/ D1/ 2CIF/ CIF		
Capability	3 x 12MP@25, 4 x 4K@30, 8 x 4MP@30, 16 x 1080P@30, 32 x 960P@25, 36 x 720P@30, 64 x D1		
Hard Disk			
SATA	8 SATA Interfaces		
Capacity	Up to 10TB for each HDD		
eSATA	1 eSATA Interface		
Disk Array			
Array Type	RAID 0,1,5,6,10		
External Interface			
Network Interface	2 RJ-45 10M/100M/1000M self-adaptive Ethernet Interface		
Serial Interface	1 x RS232, 1 x RS485		
USB Interface	Front panel: 2 x USB2.0, Rear Panel: 1 x USB3.0		
Alarm In	16-Channel		
Alarm Out	4-Channel		
General			
Power Supply	100 ~ 240 VAC	Power Consumption: ≤ 25 W(without HDD)	
Working Environment	-10°C ~ + 55°C (+14°F ~ +131°F), Humidity ≤ 90% RH(Non-condensing)		
Dimensions(W x D x H)	442mm x 425mm x 86mm(17.4" x 16.7" x 3.4")		
Weight (without HDD)	≤ 5.13 Kg (11.31 lb)		

Product Details	
Part Code	NV-NR216KRD08
Description	16-Channel, 8 SATA Interface, 2U, 265+ Vcom & 4K, Alarm I/O, Dual Network Interface, Raid 1~10
Part Code	NV-NR232KRD08
Description	32-Channel, 8 SATA Interface, 2U, 265+ Vcom & 4K, Alarm I/O, Dual Network Interface, Raid 1~10
Part Code	NV-NR264KRD08
Description	64-Channel, 8 SATA Interface, 2U, 265+ Vcom & 4K, Alarm I/O, Dual Network Interface, Raid 1~10

REAR PANEL



DIMENSIONS

