

META Series



KEY FEATURES

- 5 Megapixel Resolution
- 2592 x 1944:30fps
- Fixed Lens 2.8/4mm
- 265+ Vcom/H.265/H.264/MJPEG
- 120db WDR
- Triple Streams
- Up to 30m (98 ft) VIR
- XLight
- Onvif S, T, G & Q
- MicroSD Card Slot
- PoE(802.3af)
- Weatherproof IP67
- Vandal Resistant IK10

XLight Vpix VIR Vcom



SD Card



Privacy Mask



PoE



Onvif



Multi Streams



Motion Detection



IR



IP67



WDR



Smart Features

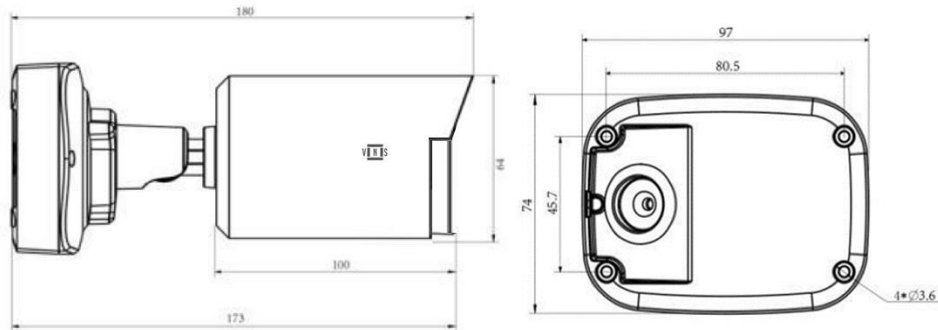
| Model No. | MB5L1R3C | MB5L3R3C |
|-------------------------|---|-----------------|
| Sensor | 1/2.8" Progressive Scan CMOS 5.0 Megapixel | |
| Lens | 2.8 @ F1.6 | 4mm @ F1.6 |
| Field of View | H105°/D131°/V78° | H86°/D108°/V63° |
| Shutter | Auto/Manual, 1 ~ 1/100000s | |
| Minimum Illumination | Colour: 0.001Lux (F1.6, AGC ON) 0Lux with IR on | |
| Day/Night | IR-cut Filter with Auto Switch (ICR) | |
| Digital Noise Reduction | 2D/3D DNR | |
| S/N | ≥55 dB | |
| IR Range | Up to 30m (98ft) VIR Range | |
| Defog | Digital Defog | |
| WDR | 120db | |
| Video | | |
| Video Compression | 265+ Vcom, H.265, H.264, MJPEG | |
| H.264 Code Profile | Baseline Profile, Main Profile, High Profile | |
| Frame Rate | Main Stream: 5MP (2592 x 1944), 30fps@(2048 x 1536, 1920 x 1080, 1280 x 960, 1280 x 720, 704 x 576), Max 30fps Sub Stream: D1 (704x576, 640 x 480, 640 x 360, 352 x 288, 320 x 240, 320 x 192, 320 x 180), Max 30fps Third Stream: 2MP (1920 x 1080, 1280 x 720, 704 x 576, 640 x 480, 640 x 360, 320 x 240, 320 x 192, 320 x 180), Max 30fps | |
| Bit Rate | 16Kbps~16Mbps(CBR/VBR) | |
| 9:16 Corridor Mode | Supported | |
| BLD | Supported (Bright Light Dispersion) | |
| BLC | Supported | |
| XLight | Supported | |
| OSD | Supported | |
| Privacy Mask | Up to 8 areas | |
| ROI | Up to 8 areas | |
| Motion Detection | Supported | |
| Network | | |
| Protocols | IPv4/IPv6, ARP, TCP, UDP, RTCP, RTP, RTSP, RTMP, HTTP, HTTPS, DNS, DDNS, DHCP, FTP, NTP, SMTP, SNMP, UPnP, Bonjour, SIP, PPPoE, VLAN, 802.1x, QoS, IGMP, ICMP, SSL | |
| System Compatibility | Onvif Profile G & Q & S & T, API | |
| Interface | | |
| Network | 1 RJ45 10M/100M Base-TX Ethernet | |
| Storage | | |
| Edge Storage | Micro SD, up to 256GB | |
| Network Storage | ANR | |

5MP FIXED LENS VIR MINI BULLET

2592 X 1944:30FPS, 2.8/4MM LENS, 265+ VCOM/H.265, TRUE WDR, TRIPLE STREAM

| Smart Function | |
|------------------------|---|
| Intelligent Detection | Region Entrance, Region Exiting, Advanced Motion Detection, Tamper Detection, Line Crossing, Loitering, Human Detection, People Counting, Object Left, Object Removed |
| General | |
| Power | PoE (IEEE 802.3af) |
| Power Consumption: | Max 5.5W With IR On |
| Ingress Protection | IP67 |
| Vandal Resistant | IK10 |
| Dimensions (W x H x L) | 97mm x 74mm x 180mm (3.8" x 2.9" x 7.1") |
| Weight | 610g (1.34lbs) |
| Working Environment | -40°C ~ 60°C (-40°F ~ 140°F), Humidity: ≤95% RH (Non-condensing) |
| Product Details | |
| Part Code | MB5L1R3C |
| Description | META Series, Bullet, 5MP(2592 x 1944:25/30fps) Fixed 2.8mm Lens, VIR Range up to 30m Micro SD Card Slot, 120db WDR, PoE(802.3af), IP67, Built-in AI Function |
| Part Code | MB5L3R3C |
| Description | META Series, Bullet, 5MP(2592 x 1944:25/30fps) Fixed 4.0mm Lens, VIR Range up to 30m Micro SD Card Slot, 120db WDR, PoE(802.3af), IP67, Built-in AI Function |

DIMENSIONS



ACCESSORIES

Pole Mount Bracket
Model No.: VN-MPM01



Corner Mount Bracket
Model No.: VN-MCM01

