

META Series



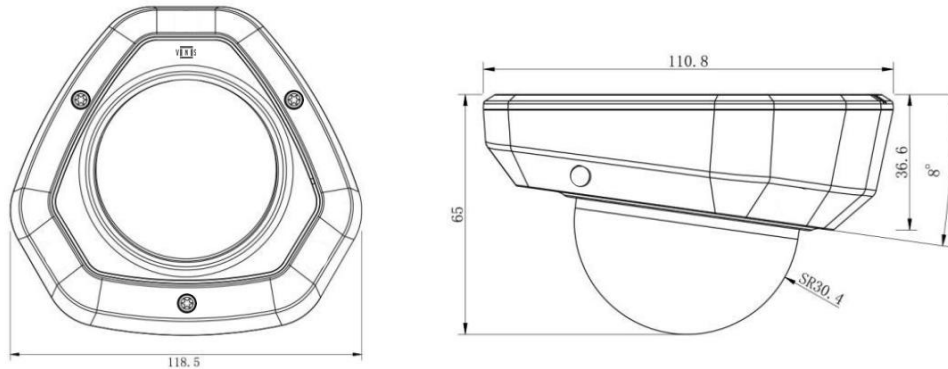
KEY FEATURES

- 5 Megapixel Resolution
- 2592 x 1944:30fps
- Fixed Lens 2.8/4mm
- 265+ Vcom/H.265/H.264/MJPEG
- 120db WDR
- Triple Streams
- Up to 30m (98 ft) VIR
- XLight
- ONVIF S, T, G & Q
- MicroSD Card Slot
- PoE(802.3af)
- Weatherproof IP67
- Vandal Resistant IK10

Model No.	MD5L1R3AC	MD5L3R3AC
Sensor	1/2.8" Progressive Scan CMOS 5.0 Megapixel	
Lens	2.8 @ F1.6	4mm @ F1.6
Field of View	H105°/D131°/V78°	H86°/D108°/V63°
Shutter	Auto/Manual, 1 ~ 1/100000s	
Minimum Illumination	Colour: 0.001Lux (F1.6, AGC ON) 0Lux with IR on	
Day/Night	IR-cut Filter with Auto Switch (ICR)	
Digital Noise Reduction	2D/3D DNR	
S/N	≥55 dB	
IR Range	Up to 30m (98ft) VIR Range	
Defog	Digital Defog	
WDR	120db	
Video		
Video Compression	265+ Vcom, H.265, H.264, MJPEG	
H.264 Code Profile	Baseline Profile, Main Profile, High Profile	
Frame Rate	Main Stream: 5MP (2592 x 1944), 30fps@ (2048 x 1536, 1920 x 1080, 1280 x 960, 1280 x 720, 704 x 576), Max 30fps Sub Stream: D1 (704 x 576, 640 x 480, 640 x 360, 352 x 288, 320 x 240, 320 x 192, 320 x 180) , Max 30fps Third Stream: 2MP(1920 x 1080, 1280 x 720, 704 x 576, 640 x 480, 640 x 360, 320 x 240, 320 x 192, 320 x 180), Max 30fps	
Bit Rate	16Kbps~16Mbps(CBR/VBR)	
9:16 Corridor Mode	Supported	
BLD	Supported (Bright Light Dispersion)	
BLC	Supported	
XLight	Supported	
OSD	Supported	
Privacy Mask	Up to 8 areas	
ROI	Up to 8 areas	
Motion Detection	Supported	
Network		
Protocols	IPv4/IPv6, ARP, TCP, UDP, RTCP, RTP, RTSP, RTMP, HTTP, HTTPS, DNS, DDNS, DHCP, FTP, NTP, SMTP, SNMP, UPnP, Bonjour, SIP, PPPoE, VLAN, 802.1x, QoS, IGMP, ICMP, SSL	
System Compatibility	ONVIF Profile G & Q & S & T, API	
Interface		
Network	1 RJ45 10M/100M Base-TX Ethernet	
Storage		
Edge Storage	Micro SD, up to 256GB	
Network Storage	ANR	
Smart Function		
Intelligent Detection	Region Entrance, Region Exiting, Advanced Motion Detection, Tamper Detection, Line Crossing, Loitering, Human Detection, People Counting, Object Left, Object Removed	

General	
Power	PoE (IEEE 802.3af)
Power Consumption:	Max 5.5W With IR On
Dimensions (φ x H)	118.5mm x 65mm
Weight	500g (1.1lbs)
Working Environment	-40°C ~ 60°C (-40°F ~ 140°F), Humidity: ≤95% RH (Non-condensing)
Ingress Protection	IP67
Product Details	
Part Code	MD5L1R3AC
Description	META Series, Dome, 5MP(2592 x 1944:25/30fps) Fixed 2.8mm Lens, VIR Range up to 30m Micro SD Card Slot, 120db WDR, DC12V/PoE(802.3af), IP67, IK10, Built-in Mic, Built-in AI Function
Part Code	MD5L3R3AC
Description	META Series, Dome, 5MP(2592 x 1944:25/30FPS) Fixed 4.0mm Lens, VIR Range up to 30m Micro SD Card Slot, 120db WDR, DC12V/PoE(802.3af), IP67, IK10, Built-in Mic, Built-in AI Function

DIMENSIONS



ACCESSORIES

Pole Mount Bracket
Model No.: VN-MPM01



Corner Mount Bracket
Model No.: VN-MCM01



Wall Mount Bracket
Model No.: VN-MWM01

