

Pro Series



KEY FEATURES

- 5 Megapixel Resolution
- 2592 x 1944:20fps
- 30x Optical Zoom (5.3 ~ 159mm)
- 265+ Vcom, H.265
- Up to 200m VIR
- True WDR
- Alarm I/O
- Audio I/O
- ONVIF
- Edge Storage up to 256GB
- AC24V/DC36V±25%
- PoE++
- IP66
- All weather Design
- -40°C ~ +60°C

XLight Vpix VIR Vcom



SD Card



Privacy Mask



PoE



Optical Zoom



Multi Streams



Motion Detection



IR



IP66



Alarm I/O



WDR

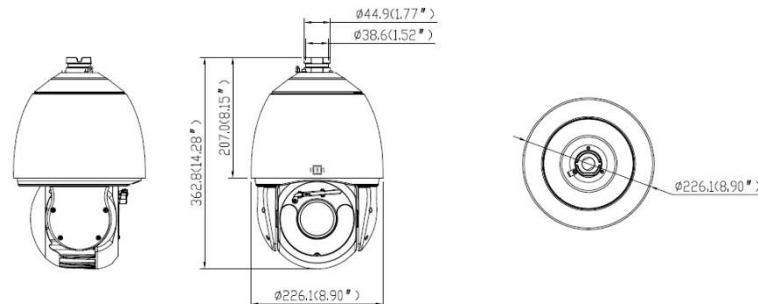
Model No.	PPD5X30RX2VTCW
Sensor	5MP(2592 x 1944) @ 25/30fps, 1/2.8" Progressive Scan CMOS
Lens	5.3 ~ 159mm, AF Automatic Focusing and Motorized Zoom Lens
Optical Zoom	30x Optical
Digital Zoom	16x Digital
Shutter	Auto/Manual; Shutter Time: 1~ 1/100000s
Minimum Illumination	Color: 0.002 Lux @ (F1.6, AGC ON) B/W: 0 Lux (IR LED ON)
Iris	Auto/Manual; F1.5 ~ F4.3
Angle of View	H: 56.62° ~ 2.48°, V: 42.76° ~ 1.91°
Day/Night	IR-cut Filter with Auto Switch (ICR)
Digital Noise Reduction	2D/3D DNR
S/N	>55dB
IR Range	Up to 200m (656ft)
Defog	Digital Defog Filter
WDR	True WDR
Video	
Video Compression	265+ Vcom, H.265, H.264, MJPEG
H.264 Code Profile	Baseline Profile, Main Profile, High Profile
Frame Rate	Stream1: 2592 x 1944, 2560 x 1520, 1920 x 1080, 1280 x 720 @ 25/30fps Stream2: D1, VGA, CIF @ 25/30fps Stream3: VGA, CIF, QVGA @ 25/30fps
Bit Rate	Stream1: 200kbps~12Mbps Stream2: 100kbps~6Mbps Stream3: 100kbps~3Mbps
BLD	Supported
BLC	Supported
EIS	Supported
OSD	Up to 8 OSDs
Privacy Mask	Supported
ROI	Up to 8 areas
Motion Detection	Supported
Smart	
General Function	Face, Human, Vehicle and Intrusion Detection, Single Line Crossing, Double Line Crossing, Loitering, Wrong Direction, Parking Enforcement, People and Vehicle Counting
Audio	
Audio Compression	G.711
Two-way Audio	Supported
Suppression	Supported
Sampling Rate	8kHz

5MP 30X PTZ DOME CAMERA





2592X1944:30FPS, OUTDOOR, XLIGHT, IP66, 200M VIR, WIPER

Storage	
Edge Storage	Micro SD, up to 256GB
Network Storage	NAS/SAN
Network	
Protocols	IPv4, IGMP, ICMP, ARP, TCP, UDP, DHCP, PPPoE, RTP, RTSP, RTCP, DNS, DDNS, NTP, FTP, UPnP, HTTP, HTTPS, SMTP, 802.1x, SNMP, QoS
System Compatibility	Onvif (Profile S, G, T) API
Pan & Tilt	
Pan Range	360° (Endless)
Pan Speed	0.1°/s ~ 240°/s Preset Speed: 300°/s
Tilt Range	-10° ~ 90° (Auto Reverse)
Tilt Speed	0.1° ~ 160°/s Preset Speed: 240°/s
Number of Preset	400
Patrol	6 Track, 12 Scan, 12 Tour (up to 32 presets per tour)
3D Positioning	Support
Home Position	Supported
Interface	
Audio I/O	Input: Impedance 35kΩ; Amplitude 2V [p-p] Output: Impedance 600Ω; Amplitude 2V [p-p]
Alarm I/O	7/2
Network	1 RJ45 10M/100M Base-TX Ethernet
General	
Power	AC24V/DC36V/POE++ (IEEE 802.3bt), Standard Equipped: DC36V
Power Consumption	27 ~ 45 W
Dimensions (∅ x H)	∅226 x 362.8mm (∅8.9 x 14.28 inch)
Weight	5.5kg (12.13lb)
Temperature	-40 °C ~ 60 °C (-40 °F ~ 140 °F)
Operating Humidity	Less than 90% RH
Ingress Protection	IP67
Vandal Resistance	IK10
Product Details	
Part Code	PPD5X30RX2VTCW
Description	Professional Series, PTZ Dome, 5MP(2560 x 1920:30FPS), 30x Optical Zoom Lens(5.3~159mm), VIR Laser Range up to 200m, Audio I/O, Alarm I/O, Micro SD Card Slot, 120db WDR, AC24V/DC36V/PoE++ (IEEE 802.3bt), IP66, Viper

DIMENSIONS



ACCESSORIES

<p>Pole Mount Model No.: VN-PPM01</p> 	<p>Ceiling Bracket Model No.: VN-PPM02</p> 	<p>Corner Mount Model No.: VN-PCM01</p> 	<p>Wall Bracket Model No.: VN-PWB04</p> 
---	--	--	---