

Meta Series



## KEY FEATURES

- 2 Megapixel Resolution
- 1920 x 1080:30fps
- 265+ Vcom/H.265/H.264/MJPEG
- Triple Streams
- Optical & Digital Defog Filter
- 120dB WDR
- Alarm I/O
- Audio I/O
- 42x Optical Zoom
- 7 ~ 300mm, AF Automatic Focusing and Motorized Zoom Lens
- Micro SD Card Slot
- Wiper
- IR Range: up to 300m (984ft)
- PoE (802.3at) / AC 24V/3A±10%
- Temperature -40°C ~ 60°C
- Weatherproof IP67
- Vandal Resistant IK10

### XLight Vpix VIR Vcom



SD Card



Optical Zoom



PoE



Onvif



Multi Streams



Wiper



IR



IP67



WDR



Smart Features

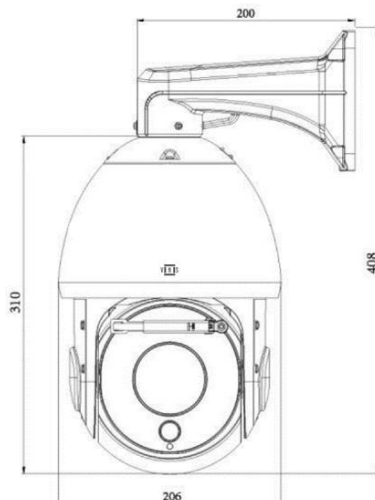
Model No.	MPD2X42RX3VTCW
Sensor	2 Megapixel, 1/1.8" Progressive Scan CMOS
Lens	7~300mm, AF Automatic Focusing and Motorized Zoom Lens
Digital Zoom	16x
Optical Zoom	42x
Shutter	Auto/Manual, 1 ~ 1/100000s
Minimum Illumination	Colour: 0.0001Lux (F1.5, AGC ON) 0Lux with IR
Iris	Auto/Manual; F1.55 ~ F4.8
Day/Night	IR-cut Filter with Auto Switch (ICR)
Digital Noise Reduction	2D/3D DNR
S/N	≥55 dB
IR Range	Up to 300m (984ft) IR Range
Defog	Optical Defog & Digital Defog Filter
WDR	120dB
<b>Video</b>	
Video Compression	265+ Vcom, H.265, H.264, MJPEG
H.264 Code Profile	Baseline Profile, Main Profile, High Profile
Frame Rate	Main Stream: 2MP(1920 x 1080, 1280 x 960, 1280 x 720, 704 x 576), Max 30fps Sub Stream: D1 (704 x 576, 640 x 480, 640 x 360, 352 x 288, 320 x 240, 320 x 180), Max 30fps Third Stream: 2MP (1920 x 1080, 1280 x 720, 704 x 576, 640 x 480, 640 x 360, 320 x 240, 320 x 192, 320 x 180), Max 30fps
BLD	Supported
BLC	Supported
XLight	Supported
OSD	Up to 8 OSDs
Privacy Mask	Up to 24 areas(Up to 8 blacks or 8 mosaics in the same picture)
ROI	Up to 8 areas
Motion Detection	Up to 4 areas
<b>Storage</b>	
Edge Storage	Support microSD/SDHC/SDXC Card Local Storage, up to 256G
Network Storage	ANR
<b>Network</b>	
Protocols	IPv4, IGMP, ICMP, ARP, TCP, UDP, DHCP, PPPoE, RTP, RTSP, RTCP, DNS, DDNS, NTP, FTP, UPnP, HTTP, HTTPS, SMTP, 802.1x, SNMP, QoS
System Compatibility	ONVIF Profile G & Q & S & T, API

# 2 MEGAPIXEL 42X PTZ DOME CAMERA

1920X1080:30FPS 265+ VCOM/H.264, TRIPLE STREAM WIPER

Pan & Tilt	
Pan Range	360° (Endless)
Pan Speed	0.1°/s ~ 74°/s Preset Speed: 300°/s
Tilt Range	-20° ~ 90° (Auto Reverse)
Tilt Speed	0.1° ~ 74°/s Preset Speed: 240°/s
Number of Preset	300
Patrol	Preset Patrol, Route Patrol, Recorded Patrol
Home Position	Supported
Interface	
Audio I/O	Input: Impedance 1kΩ; Amplitude 2V [p-p] Output: Impedance 600Ω; Amplitude 2V [p-p]
Alarm I/O	4/2
Serial	1 RS485
Network	1 RJ45 10M/100M Base-TX Ethernet Network
Wiper	Supported
Interface	
Audio Compression	G.711
Suppression	Supported
Sampling Rate	8kHz
General	
Power	PoE (802.3at) / AC 24V/3A±10%
Power Consumption:	12W Max / 25.5W Max (With IR on)
Dimensions (Ø x H)	Φ206mm x 310mm
Weight	4.0kg (8.82lb)
Working Environment	-40°C ~ 60°C (-40°F ~ 158°F), Humidity: ≤95% RH (Non-condensing)
Ingress Protection	IP67
Vandal Resistant	IK10
Product Details	
Part Code	MPD2X42RX3VTCW
Description	META Series, PTZ Dome, 2MP(1920 x 1080:25/30fps), 42x Optical Zoom Lens (7~300mm), VIR Range up to 300m, Audio I/O, Alarm I/O, Micro SD Card Slot, 120db WDR, AC24V/Hi-PoE(802.3bt), IP67, Wiper

## DIMENSIONS



## ACCESSORIES

Pole Mount Bracket  
Model No.: VN-MPM01



Corner Mount Bracket  
Model No.: VN-MCM01



Wall Mount Bracket  
Model No.: VN-MWM03

