

Pro Series



KEY FEATURES

- 2 Megapixel Resolution
- 1920 x 1280:30fps
- 37x Optical Zoom (6~222mm)
- 265+ Vcom, H.265
- Up to 200m Laser VIR
- True WDR
- Alarm I/O
- Audio I/O
- ONVIF
- Edge Storage up to 256GB
- AC 24V±25%
- PoE+
- IP66
- All weather Design
- -40°C ~ +60°C

XLight Vpix VIR Vcom



SD Card



Privacy Mask



PoE



Optical Zoom



Multi Streams



Motion Detection



IR



IP66



Alarm I/O



WDR

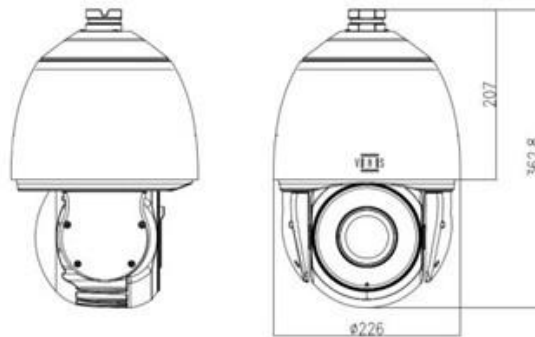
Model No.	PPD2X37R2XVTC
Sensor	2 MP 1/2" Progressive Scan CMOS
Lens	6 ~ 222mm, AF Automatic Focusing and Motorized Zoom Lens
Optical Zoom	37x Optical
Digital Zoom	16x Digital
Shutter	Auto/Manual; Shutter Time: 1~ 1/20000s
Minimum Illumination	Colour: 0.001Lux (F1.2,AGC ON) 0Lux with IR
Iris	Auto/Manual; F1.5 ~ F4.8
Angle of View	H: H: 59.8° ~ 2.3°, V: 42.76° ~ 1.91°
Day/Night	IR-cut Filter with Auto Switch (ICR)
Digital Noise Reduction	2D/3D DNR
S/N	>55dB
IR Range	Up to up to 200 m (656.2 ft) VIR
Defog	Digital Defog Filter
WDR	True WDR
Video	
Video Compression	265+ Vcom, H.265, H.264, MJPEG
H.264 Code Profile	Baseline Profile, Main Profile, High Profile
Frame Rate	Stream1: 1920 x 1080/1280 x 720 @ 50/60fps Stream2: D1/VGA/640 x 360/CIF/QVGA @ 25/30fps Stream3: VGA/CIF/QVGA @ 25/30fps
Bit Rate	Stream1: 200kbps~12Mbps Stream2: 10kbps~6Mbps Stream3: 10kbps~3Mbps
BLD	Supported
BLC	Supported
EIS	Supported
OSD	Up to 8 OSDs
Privacy Mask	Up to 24 OSDs
ROI	Up to 8 areas
Motion Detection	Supported
Smart	
General Function	Face, Human, Vehicle and Intrusion Detection, Single Line Crossing, Double Line Crossing, Loitering, Wrong Direction, Parking Enforcement, People and Vehicle Counting
Audio	
Audio Compression	G.711
Two-way Audio	Supported
Suppression	Supported
Sampling Rate	8kHz

2MP 37X PTZ DOME CAMERA



1920X1080:30FPS, OUTDOOR, XLIGHT, IP66, 200M LASER VIR

Storage	
Edge Storage	Micro SD, up to 256GB
Network Storage	NAS/SAN
Network	
Protocols	IPv4, IGMP, ICMP, ARP, TCP, UDP, DHCP, PPPoE, RTP, RTSP, RTCP, DNS, DDNS, NTP, FTP, UPnP, HTTP, HTTPS, SMTP, 802.1x, SNMP, QoS
System Compatibility	ONVIF (Profile S, G, T) API
Pan & Tilt	
Pan Range	360° (Endless)
Pan Speed	0.1°/s ~ 240°/s Preset Speed: 300°/s
Tilt Range	-10° ~ 90° (Auto Reverse)
Tilt Speed	0.1° ~ 160°/s Preset Speed: 240°/s
Number of Preset	400
Patrol	6 Track, 12 Scan, 12 Tour (up to 32 presets per tour)
Home Position	Supported
Interface	
Audio I/O	Input: Impedance 35kΩ; Amplitude 2V [p-p] Output: Impedance 600Ω; Amplitude 2V [p-p]
Alarm I/O	7/2
Network	1 RJ45 10M/100M Base-TX Ethernet
General	
Power	AC24V/PoE+ (IEEE802.3at)
Power Consumption	25 ~ 40 W
Dimensions (∅ x H)	∅226 x 362.8 mm (∅8.9 x 14.28 inch)
Weight	5.2kg (11.46lb)
Temperature	-40 °C ~ 60 °C (-40 °F ~ 140 °F)
Operating Humidity	Less than 90% RH
Ingress Protection	IP66
Product Details	
Part Code	PPD2X37R2XVTC
Description	Professional Series, PTZ Dome, 2MP(1920 x 1080:25@30fps), 37x Optical Zoom Lens(6~222mm), VIR Range up to 200m, Audio I/O, Alarm I/O, Micro SD Card Slot, 120db WDR, AC24V/Hi-PoE(802.3bt), IP67, Built-in AI Function

DIMENSIONS



ACCESSORIES

<p>Pole Mount Model No.: VN-PPM01</p> 	<p>Ceiling Bracket Model No.: VN-PPM02</p> 	<p>Corner Mount Model No.: VN-PCM01</p> 	<p>Wall Bracket Model No.: VN-PWB04</p> 
---	--	--	---