

XLight Vpix VIR Vcom



SD Card



Optical Zoom



PoE



Onvif



Multi Streams



Motion Detection



IR



IP67



WDR



LPR

Specialized Series



KEY FEATURES

- 2 Megapixel Resolution
- 1920 x 1080:30fps
- 12x Motorized Lens 5.3~64mm
- 265+ Vcom/H.265/H.264/MJPEG
- 120db WDR
- Triple Streams
- Up to 180m (591ft) VIR
- XLight
- Alarm I/O
- Audio I/O
- ONVIF S, T, G & Q
- License Plate Recognition
- MicroSD Card Slot
- PoE(802.3af)
- DC12V ±10%
- Weatherproof IP67
- Vandal Resistant IK10

Model No.	SB2X12RXVTCLP
Sensor	1/2.8" Progressive Scan CMOS 2.0 Megapixel
Lens	12x 5.3~64mm @ F1.6
Field of View	H61°~H5°/ D69°~D5°/ V36°~V2°
Shutter	Auto/Manual, 1 ~ 1/100000s
Minimum Illumination	Colour: 0.001Lux (F1.6, AGC ON), 0Lux with IR on
Day/Night	IR-cut Filter with Auto Switch (ICR)
Digital Noise Reduction	2D/3D DNR
S/N	≥55 dB
IR Range	Up to 180m (591 ft) VIR Range
Defog	Digital Defog
WDR	120db
Video	
Video Compression	265+ Vcom, H.265, H.264, MJPEG
H.264 Code Profile	Baseline Profile, Main Profile, High Profile
Frame Rate	Main Stream: 2MP 1920 x 1080, 1280 x 960, 1280 x 720, 704 x 576 Max 30fps Sub Stream: D1 704 x 576, 640 x 480, 640 x 360, 352 x 288 Max 30fps Third Stream: 2MP 1920 x 1080, 1280 x 720, 704 x 576, 640 x 480, 640 x 360, 352 x 288 Max 30fps
Bit Rate	16Kbps~16Mbps (CBR/VBR)
9:16 Corridor Mode	Supported
BLD	Supported (Bright Light Dispersion)
BLC	Supported
XLight	Supported
OSD	Supported
Privacy Mask	Up to 8 areas
ROI	Up to 8 areas
Motion Detection	Supported
Network	
Protocols	IPv4/IPv6, ARP, TCP, UDP, RTCP, RTP, RTSP, RTMP, HTTP, HTTPS, DNS, DDNS, DHCP, FTP, NTP, SMTP, SNMP, UPnP, Bonjour, SIP, PPPoE, VLAN, 802.1x, QoS, IGMP, ICMP, SSL
System Compatibility	ONVIF Profile G & Q & S & T, API
Interface	
Network	1 RJ45 10M/100M Base-TX Ethernet
Alarm I/O	1/1
Audio I/O	1/1
Storage	
Edge Storage	Micro SD, up to 256GB
Network Storage	NAS (NFS, SMB / CIFS), ANR

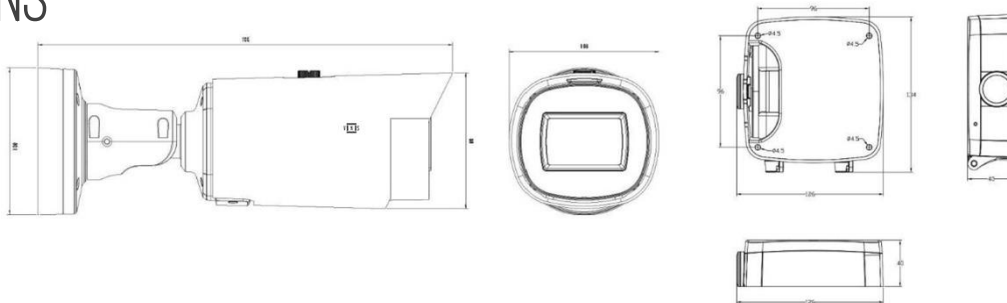


2MP 12X ZOOM LENS LPR BULLET

1920 X 1080:30FPS, 5.3~64MM LENS, 265+ VCOM/H.265, TRUE WDR, TRIPLE STREAM

Smart Function	
LPR Speed	200km/h
Recognition Accuracy	>95%
Database	Up to 1000 records inside the camera
Coverage	4 Zone (Simultaneous)
Traffic Detection Types	License Plate Recognition, Plate Type Recognition, Plate Color Recognition, Vehicle Type Classification, Vehicle Color Recognition
General	
Power	PoE (802.3af) / DC12V ± 10%
Power Consumption:	Max 14W With IR On
Dimensions (L x W x H)	320mm x 134mm x 126mm
Weight	1630g (3.59lb)
Ingress Protection	IP67
Working Environment	-40°C ~ 60°C (-40°F ~ 140°F), Humidity: ≤95% RH (Non-condensing)
Product Details	
Part Code	SB2X12RXVTCLP
Description	Super AI Series, Bullet, 2MP(1920 x 1080:25/30fps), Motorized Zoom Lens(5.3~64mm), VIR Range up to 180m, Audio I/O, Alarm I/O, Micro SD Card Slot, 120db WDR, DC12V/PoE(802.3af), IP67, IK10, Built-in LPR & AI Function

DIMENSIONS



ACCESSORIES

Pole Mount Bracket
Model No.: VN-MPM01



Corner Mount Bracket
Model No.: VN-MCM01



Video Network Security

1950 W. Corporate Way PMB 95972, Anaheim, California 92801, United States of America.

Email: sales@vnsec.us Web: www.vnsec.us

©2022 Video Network Security Ltd. All rights reserved.

*Product specifications, shape and availability are subject to change without notice.